

Notification Appliances

FW2963 & FW2973

Conventional & Addressable

Low Frequency Horn / Horn Strobe



Overview

The Series 2 Maple Armor 520Hz Low Frequency Horn, and Horn-Strobe appliances are a comprehensive family of audible and visual signaling appliances, combining contemporary design with energy-efficient performance.

They are engineered to operate in conventional and addressable operation modes, offering unparalleled versatility for a wide range of applications. In addressable mode, each device is equipped with intelligent communication capabilities, allowing it to report its precise location and status directly to the control panel.

The appliances provide a wide array of field-configurable visual settings. The light intensity (candela) can be adjusted on-site to 15, 30, 75, 110, 140, or 177 cd. All settings can be conveniently configured via a handheld programmer or directly through the control panel.

The strobe appliances produce a flash rate of one flash per second over the regulated voltage range. The temporal tone generated by the horn portion is designed in accordance with ANSI and NFPA 72 for standard emergency evacuation signaling requirements.

All Series 2 signaling appliances are designed to be installed on the same installation base as previous Maple Armor appliances.

Features

- Modern design
- Conventional Mode
- Addressable Mode
- Code-compliant 520 Hz output.
- High-intensity LED light source
- Approved for ceiling and wall mounting
- Easy installation
- Fits on North American single-gang, 3.5" octagon, and 4" square electrical boxes
- Designed with energy efficiency
 - More devices per circuit
 - Longer circuit wire runs
 - Lower wire gauge
 - Less installation cost
- Six selectable strobe intensity
 - 15, 30, 75, 110, 140, or 177 cd
- Two selectable sounder volumes
 - High and Low
- Six Selectable horn patterns
 - Temporal 3
 - Temporal 4
 - Steady
 - March time 20 bpm
 - March time 60 bpm
 - March time 120 bpm
- Available in White and Red color finish
- Compatible with all Maple Armor control panels

Operation

Two-Wire operation

This enables both the horn and strobe to be wired and activated on the same NAC circuit in both conventional and addressable modes. This configuration allows the horn to be silenced while the strobe continues to flash. The horn continues to sound until it is silenced, while the strobe keeps flashing until it is reset.

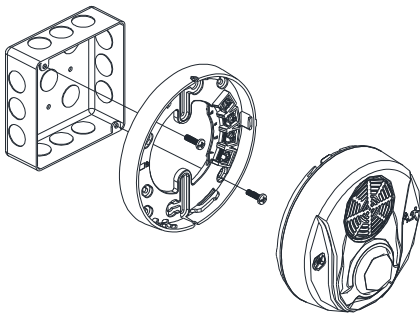
Synchronization Sources

- Maple Armor FW2105 and FW2107 Fire Alarm Control Panels
- NAC Booster FW131
- Sync Module FW951

Note: refer to each panel data sheet for more information

Installation

All Series 2 strobes, horns, and horn-strobes mount to universal appliance bases, which provide easy installation, wiring, and testing before the appliance is installed. The circular shape design requires minimal leveling.



The bases can be mounted to any standard North American single-gang, octagon, 4-inch square electrical box. Assemble the appliance device by aligning it onto the base and twisting it clockwise.

Field Configuration

All the Series 2 signaling appliances come with factory preset sound and light parameters

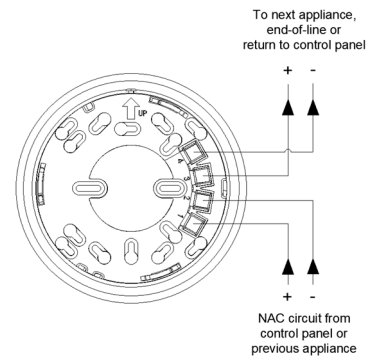
- The FW2963 horn-strobe comes pre-set to 15 cd strobe light intensity and Low sound output level.
- The FW2973 horn comes pre-set to Low sound output level.

In **Conventional** operation mode, use the Maple Armor handheld programmer FW2411 to set the desired audible and/or visual settings before installing the appliance.

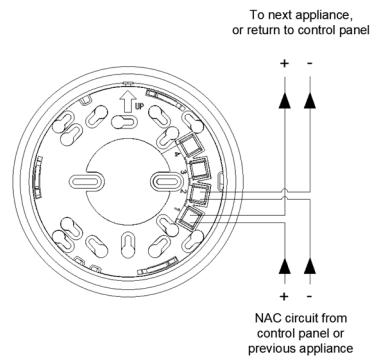
While in **Addressable** operation mode, audible and/or visual settings are configured through the control panel configurator.

Wiring

Field wiring is to be completed using the terminal screws provided on the universal installation base, and it can accommodate #18 to #12 AWG (0.82 mm² to 3.31 mm²).



Conventional Mode Wiring



Addressable Mode Wiring

Note: The installation is to be performed according to the latest applicable codes and standards.

Sound Output

ULC Directional Sound Characteristics

Axis	Angle	OSPL (dBA)
Horizontal	0° (ref)	0 (ref)
	+ 88°/-89	- 3 dBA
	**	- 6 dBA
	± 90°	-3.3/-3.2 dBA
Vertical	0° (ref)	0 (ref)
	**	- 3 dBA
	**	- 6 dBA
	± 90°	-2.5/-2.4 dBA

** - indicates no drop

Horn-Strobe - Sound Output

FW2963	OSPL (dBA) at 3 meters (10 ft)		
	UL 464 / ULC-S525 Reverberant		
Volume	16Vdc	24Vdc	33Vdc
A (High)	81	81	81
B (Low)	76	76	76

Light Output

The light outputs compared to the UL minimum requirement



--- UL Limit (percent)

--- appliance intensity (percent)

Horn - Sound Output

FW2973	OSPL (dBA) at 3 meters (10 ft)		
	UL 464 / ULC-S525 Reverberant		
Volume	16Vdc	24Vdc	33Vdc
A (High)	81	81	81
B (Low)	76	76	76

Current Draw

FW2963 Low Frequency Horn-Strobe - RMS Operating Current (mA)

FW2963	Light Intensity					
Light Setting	177 cd	140 cd	110 cd	75 cd	30 cd	15 cd
High(16VDC)	310	275	245	208	156	141
High(24VDC)	225	201	180	161	116	106
High(33VDC)	180	164	146	110	95	86
Low(16VDC)	228	186	154	129	72	56
Low(24VDC)	170	139	118	103	58	46
Low(33VDC)	138	117	102	90	51	40

FW2973 Low Frequency Horn - RMS Operating Current (mA)

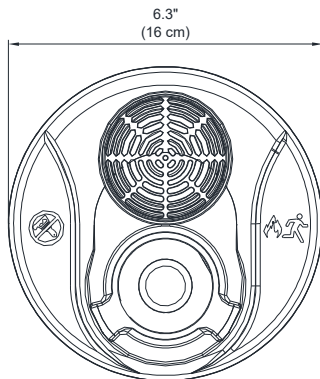
FW2973	High			Low		
Volume	16Vdc	24Vdc	33Vdc	16Vdc	24Vdc	33Vdc
RMS Current (mA)	120	91	72	36	29	25

Addressable Mode Standby Current (mA)

Voltage	FW2963	FW2973
16 VDC	0.35	0.34
24 VDC	0.38	0.37
33 VDC	0.41	0.40

Dimensions

FW2963 Low Frequency Horn-Strobe and FW2973 Low Frequency Horn dimensions with installation base.



Specifications

Operating Voltage	16 to 33 VDC (regulated 24VDC)
Effective Light Output (cd)	15, 30, 75, 110, 140, 177 cd
Audible Pattern	Temporal 3, temporal 4, steady, 20bpm, 60bpm, 120bpm
Strobe Flash Rate	1 flash per second
Wire Size	18 to 12 AWG (0.82 mm ² to 3.31 mm ²)
Operating Temperature	-10° C to 55° C (14° F to 131° F)
Operating Humidity	0 to 95% RH Non-condensing
Installation Environment	For indoor use only, Wall and Ceiling mount
Compatible FACP	FW2105, FW2107, FW2107M, FW131
Compatible Base	FW2901

Ordering Information

Model	Housing Color	Description	Ship Wt. Kg (lbs)
FW2963W	White	Low Frequency Horn-Strobe, Ceiling/Wall	0.3 (0.66)
FW2963R	Red	Low Frequency Horn-Strobe, Ceiling/Wall	0.3 (0.66)
FW2973W	White	Low Frequency Horn, Ceiling/Wall	0.3 (0.66)
FW2973R	Red	Low Frequency Horn, Ceiling/Wall	0.3 (0.66)
Accessories			
FW2901W	White	Appliance Installation Base	0.1 (0.22)
FW2901R	Red	Appliance Installation Base	0.1 (0.22)
FW951	-	Sync Module	0.140 (0.31)

*Appliance Installation Bases are ordered separately.



This document is for marketing and informational purposes only. It is not intended to be used for installation, operation, or maintenance of the device.

Contact us

Phone: 888-257-7718
 Email: sales@maplearmor.com
 Website: www.maplearmor.com
 © Maple Armor 2025 | All rights reserved.

Visit us

8866 Bd du Quartier,
 Brossard, QC J4Y 0B4

For complete and accurate installation instructions, wiring details, and operational guidelines, refer to the official Device Installation Sheet provided with the product. The manufacturer reserves the right to make changes to product specifications without prior notice.