

# Releasing Module

FW2822



## Overview

The FW2822 Releasing Module is an intelligent, addressable device designed to operate with Maple Armor releasing panels. It requires one address on the signaling line circuit (SLC).

It is used to connect a single 24VDC output and a single Alarm, Supervisory, Trouble, or Monitor-type dry contact Initiating Device Circuit (IDC). This is determined through the module's programming options in the panel.

This module supports Class B, normally open or normally closed; it connects to a dry contact initiating device circuit (IDC).

It is a UL-listed device, according to UL864 and ULC-S527, for indoor use in fire protective signaling systems.

## Features

- Durable material and solid parts
- Two visible status LED indicators for alarm and trouble
- Easy installation
- Supports one Class B input and one Class B output
- Input latched/non-latched selectable
- Mounts to a standard 4-inch square electrical box
- For dry indoor installation
- Up to 252 addressable devices per loop
- Address programmed via handheld programmer

## Compatibility

The FW2822 module is compatible with the Maple Armor Series 2 Control Panels.

- FW2107 – Releasing Panel
- FW2107M – Mini Releasing Panel

Note: Refer to each panel data sheet for more information.

## Operation

Set the device address using the Maple Armor handheld programmer FW2411 before connecting the module to the SLC.

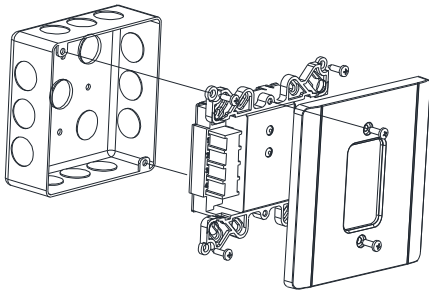
The module can be configured to be an alarm, supervisory, trouble, or monitor type.

### Diagnostic LED

The module features two red diagnostic LEDs on the front to provide a visible indication of its status. The LEDs flash in standby conditions and stay steady in event conditions.

## Installation

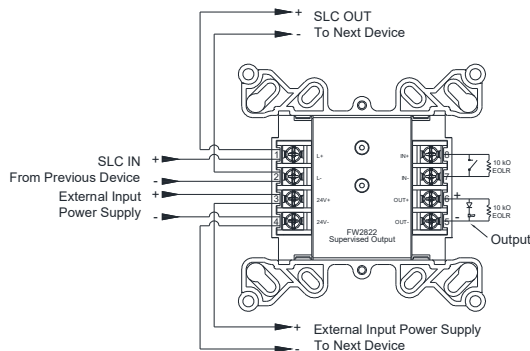
The FW2822 Supervised Output Module can be flush mounted to standard North American 4-inch square boxes. A Maple Armor plastic surface box is also available.



This device requires electrical power to operate. Since fires often cause power interruptions, we recommend consulting your local fire protection specialist for additional safeguards.

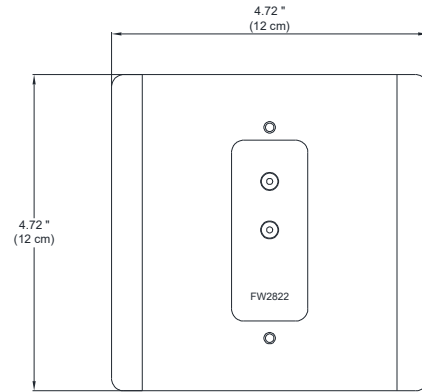
## Wiring

Field wiring is to be completed using the screw terminals on the module. The terminals are suited for 18 to 12 AWG (0.82 mm<sup>2</sup> to 3.31 mm<sup>2</sup>) wire size.



**Note:** check module installation instruction sheet for more installation and wiring options and details.

## Dimensions



## Testing & Maintenance

Before testing, notify the authorities that the system will be temporarily out of service. Disable the system to prevent unwanted alarms. Ensure the indicator LEDs are flashing; if not, check the wiring and remount the device. Activate a fire alarm signal and verify that the LEDs turn steady.

## Specifications

Nominal Voltage	24 VDC
Operating Voltage Range	13 to 28 VDC
Standby Current	0.25mA
Alarm Current	0.80mA
External Input Power Supply	24VDC (nominal) 15.4VDC to 26.4VDC compatible range
Active Current (Output)	2A, 0.35pF
Output Range	15.1 to 26.4 VDC
Max. Line Impedance	25 Ω for Input Circuit 1 Ω for Output Circuit
Recommended Test Impedance	5 MΩ for Open Circuit trouble 0.1 Ω for Short Circuit trouble
Max. Impedance for Grounding	6.6 KΩ
Compatible EOLR	10KΩ
Operating Temperature	-10° C to 55° C (14° F to 131° F)
Operating Humidity	0 to 95% RH Non-condensing
Installation Environment	Dry indoor use only
Housing Material	High impact plastic
Dimension	120 mm (L) x 120 mm (W) x 45 mm (H)
Wire Connections	Screw terminal
Wire Size	18 to 12 AWG (0.82 mm <sup>2</sup> to 3.31 mm <sup>2</sup> )
Regulatory Compliance	UL/ULC, FCC, CSFM

## Ordering Information

Model	Description	Ship Wt. Kg (lbs)
FW2822	Releasing Module	0.140 (0.31)
<b>Accessories</b>		
FW800	Surface Mount Box, Plastic	0.117 (0.26)
FW801	Deep Surface Mount Box, Plastic	0.137 (0.30)
FW422	10KΩ End-of-Line Resistor, Mounting Plate	0.125 (0.28)

*\*Accessories are ordered separately.*



This document is for marketing and informational purposes only. It is not intended to be used for installation, operation, or maintenance of the device.

### Contact us

Phone: 888-257-7718  
Email: [sales@maplearmor.com](mailto:sales@maplearmor.com)  
Website: [www.maplearmor.com](http://www.maplearmor.com)  
© Maple Armor 2025 | All rights reserved.

### Visit us

8866 Bd du Quartier,  
Brossard, QC J4Y 0B4

For complete and accurate installation instructions, wiring details, and operational guidelines, refer to the official Device Installation Sheet provided with the product. The manufacturer reserves the right to make changes to product specifications without prior notice.