



## Dual Input Module

FW812



### DESCRIPTION

The FW812 dual input module supports two Class B input circuits, each of which can monitor a dry contact device. The input line is monitored for open line faults and ground faults, and the contact must be wired with an end-of-line resistor. It is an intelligent addressable module and takes two addresses on the Signaling Line Circuit (SLC) or Data Communication Link (DCL) of the fire alarm control panel. Two LED indicators are employed to indicate each input circuit's condition. The FW812 is a UL/ULC listed device according to UL864 and ULC-S527 for Fire Alarm Systems for indoor use.

### ATTENTION

Products must be installed per the National Fire Alarm Code, NFPA 72, CAN / ULC-S524, and/or National Electrical Code, depending on the country of the installation. Check the information on equipment used in the system from other manufacturers for instructions and restrictions. The detector should never be installed in the following places: where there is a lot of exhaust gas, kitchens, near fireplaces, boilers, etc. Smoke detectors should not be used with detector guards unless the suit has been evaluated and approved for this case.

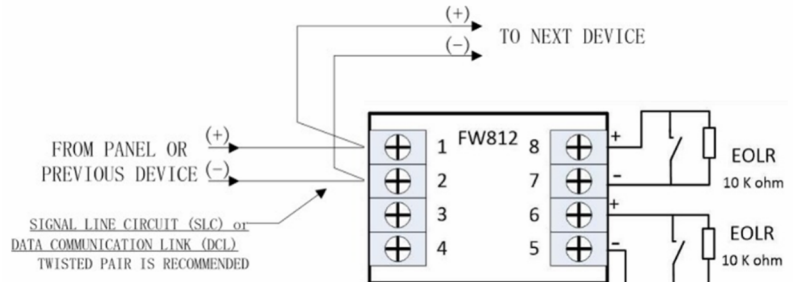
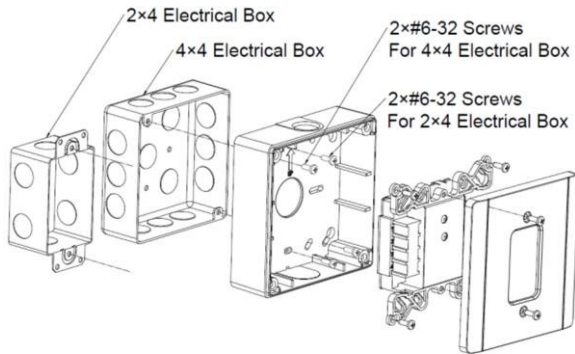
### NOTE

Do not paint this unit.

Any material extrapolated from this document or Maple Armor's instructions or other materials describing the product for promotional or advertising purposes, or any other purpose, including the description of the application, the use, installation, and testing of the product is the sole responsibility of the user. Maple Armor assumes no responsibility for the use. In no event shall Maple Armor's liability exceed the purchase price of the product.

## INSTALLATION AND WIRING

Mount the FW800/FW801 base onto a 2"X4" or 4"X4" electrical box using the screws provided, as illustrated below. Or mount the module flush mount on a 4"X4" electrical box.



## SPECIFICATIONS

Nominal Voltage	24VDC
Voltage Range	15 to 28VDC
Standby Current	0.5 mA
Alarm Current	1.7 mA
Max. Line Impedance	25 Ohms
Max. Impedance for ground fault detection	6.6 K Ohms
Compatible EOLR	FW421 (10K Ohms)
Operating Temperature	32°F to 120°F (0°C to 49°C)
Operating Humidity	0% to 93% RH
Mounting	FW800/FW801 box
Dimension	120 mm (L) x 120 mm (W) x 45 mm (H)
Weight (with backbox)	8.7 oz (247 g)
Wiring Gauge	12 to 18 AWG

## CATALOG NUMBER TO ORDER

Model	Description
FW812	Dual Input Module
FW800	Surface Box
FW801	Surface Box, Deep