



Input Module

FW811

DESCRIPTION

The FW811 input module monitors a single contact. The input line is monitored for open line faults and ground faults, and the contact must thus be wired with an end-of-line resistor. It is an intelligent addressable module and takes one address on the Signaling Line Circuit (SLC) or Data Communication Link (DCL) of the fire alarm control panel. The FW811 is a UL/ULC listed device according to UL864 and ULC-S527 for Fire Protective Signaling Systems for indoor use and FM. The type of input contact is configurable.

- **Alarm Causing:** An alarm causing input will produce an ALARM event. The device red LED will indicate the alarm condition by turning it on steady. A return to the normal condition will be ignored and the device LED indicator will remain latched in the red alarm condition until a reset command has been received.
- **Supervisory/Trouble/Monitor Causing:** By changing the FW811 input module functions from its attribute interface on FACP, it can be configured to be a supervisory, trouble, or monitor signal, which will produce a SUPERVISORY, TROUBLE, or MONITOR event. The device red LED will indicate the event condition by turning on steady. The supervisory and monitor are latched/non-latched selectable. A return to the normal condition will cause the event to disappear and the device LED indicator will return to the normal condition if the supervisory/monitor is non-latched. A return to the normal condition will not cause the event to disappear and the device LED indicator will remain in event condition if the supervisory/monitor is latched. The trouble is non-latched.

ATTENTION

Products must be installed per the National Fire Alarm Code, NFPA 72, CAN / ULC-S524, and/or National Electrical Code, depending on the country of the installation. Check the information on equipment used in the system from other manufacturers for instructions and restrictions. The detector should never be installed in the following places: where there is a lot of exhaust gas, kitchens, near fireplaces, boilers, etc. Smoke detectors should not be used with detector guards unless the suit has been evaluated and approved for this case.

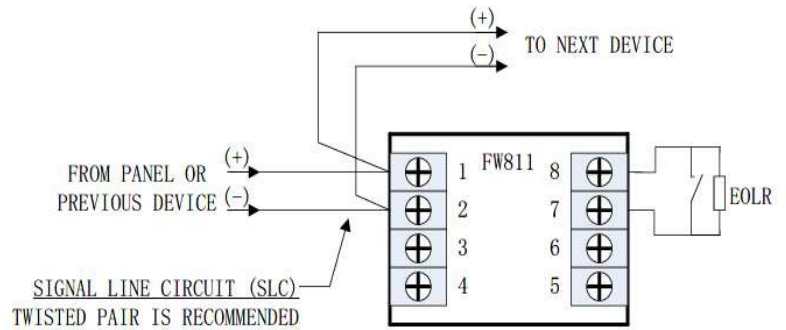
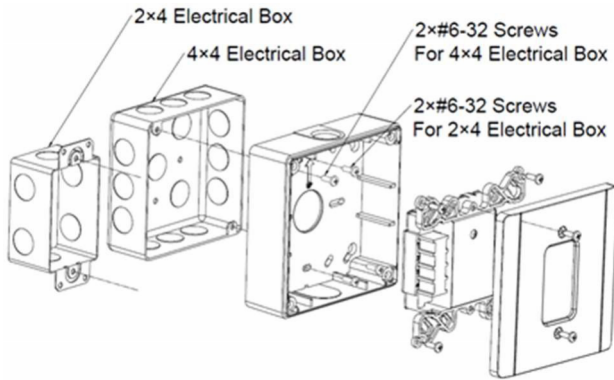
NOTE

Do not paint this unit.

Any material extrapolated from this document or Maple Armor's instructions or other materials describing the product for promotional or advertising purposes, or any other purpose, including the description of the application, the use, installation, and testing of the product is the sole responsibility of the user. Maple Armor assumes no responsibility for the use. In no event shall Maple Armor's liability exceed the purchase price of the product.

INSTALLATION AND WIRING

Mount the FW800/FW801 box onto a 2"X4" or 4"X4" electrical box using the screws provided, as illustrated below. Or mount the module flush mount on a 4"X4" electrical box.



SPECIFICATIONS

Nominal Voltage	24VDC
Voltage Range	15 to 28VDC
Standby Current	0.17mA
Alarm Current	0.79mA
Max. Line Impedance	25 Ohms
Max. Impedance for Grounding	6.6 K Ohms
Compatible EOLR	FW421 (10K Ohms)
Operating Temperature	32°F to 120°F (0°C to 49°C)
Operating Humidity	0% to 93% RH
Mounting	FW800/FW801 box
Dimension	120 mm (L) x 120 mm (W) x 45 mm (H)
Weight (with backbox)	8.7 oz (247 g)
Wiring Gauge	12 to 18 AWG

CATALOG NUMBER TO ORDER

Model	Description
FW811	Input Module
FW800	Surface Box
FW801	Surface Box, Deep