



Relay Module

FW831



DESCRIPTION

The FW831 relay module provides two control relay outputs which will be activated simultaneously.

When the outputs are activated, the device LED will indicate the event condition by red blinking. A return to normal condition will cause the event to disappear and the device LED indicator will return to the red idle condition. The FW831 is an intelligent addressable module and takes one address on the Signaling Line Circuit (SLC) or Data Communication Link (DCL) of the fire alarm control panel. It is a UL listed product according to UL864 and ULC-S527 for Fire Protective Signaling Systems for indoor use.

ATTENTION

Products must be installed per the National Fire Alarm Code, NFPA 72, CAN / ULC-S524, and/or National Electrical Code, depending on the country of the installation. Check the information on equipment used in the system from other manufacturers for instructions and restrictions. The detector should never be installed in the following places: where there is a lot of exhaust gas, kitchens, near fireplaces, boilers, etc. Smoke detectors should not be used with detector guards unless the suit has been evaluated and approved for this case.

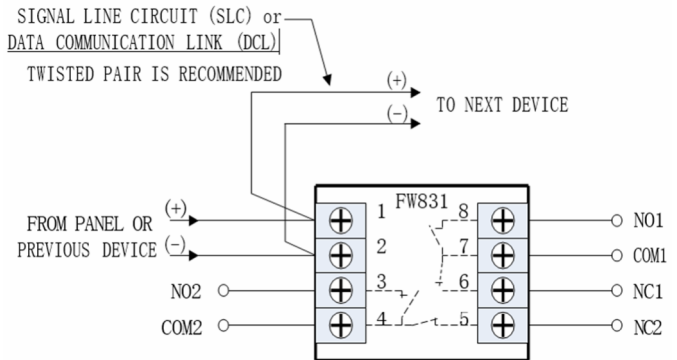
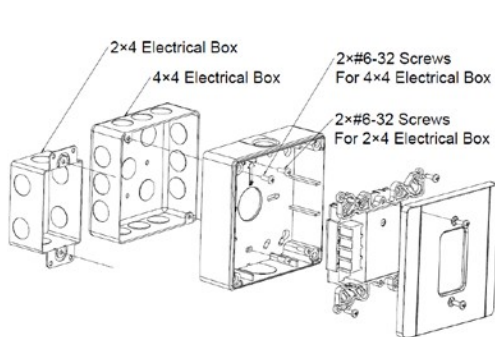
NOTE

Do not paint this unit.

Any material extrapolated from this document or from Maple Armor's instructions or other documents describing the product for use in promotional or advertising claims, or for any other use, including description of the product's application, operation, installation, and testing is the sole responsibility of the user. Maple Armor will not assume any liability for such use. In no case will Maple Armor's liability exceed the purchase price paid for a product.

INSTALLATION AND WIRING

Mount the FW800/FW801 base onto a 2"X4" or 4"X4" electrical box using the screws provided, as illustrated below. Or mount the module flush mount on a 4"X4" electrical box.



SPECIFICATIONS

Nominal Voltage	24VDC
Voltage Range	15 to 28VDC
Standby Current	0.15mA
Active Current	0.26mA
Contact Rating	30VDC 2A, 0.35pf
Operating Temperature	32°F to 120°F (0°C to 49°C)
Operating Humidity	0% to 93% RH
Dimension	120 mm (L) x 120 mm (W) x 45 mm (H)
Weight (with backbox)	9.0 oz (255 g)
Mounting	FW800/FW801 box
Wiring Gauge	12 to 18 AWG

CATALOG NUMBER TO ORDER

Model	Description
FW831	Relay Module
FW800	Surface Box
FW801	Surface Box, Deep